

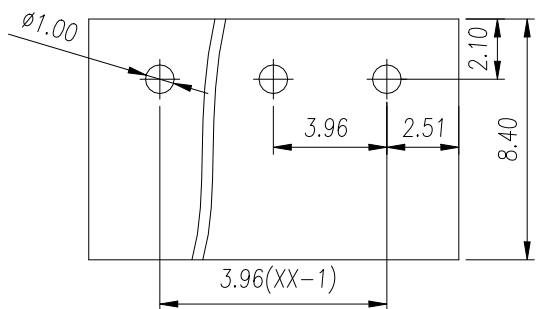


慈溪市万捷电子有限公司

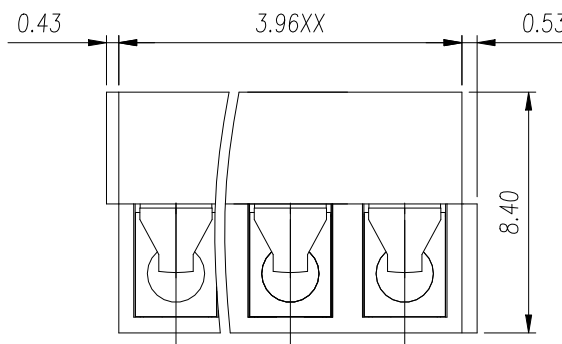
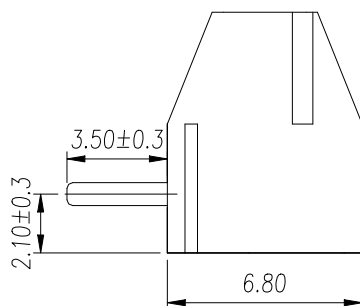
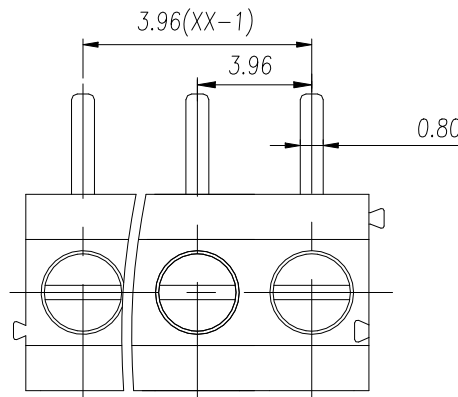
CIXI WANJIE ELECTRONIC CO., LTD

REVISION RECORD

REV.	DESCRIPTION	ECN No.	APPROVED	DATE



P.C.B. LAYOUT



UL/CUL 技术参数		UL/CUL Technical Data		
等级	Use Group	B	C	D
额定电压	Rated Voltage [V]	125	-	-
额定电流	Rated Current [A]	10	-	-
接线范围	Wire Range	24-18		
单/多芯线	Solid/Stranded [AWG]			
耐电压	Withstanding Voltage	1250V/1Min		
IEC 技术参数		IEC Technical Data		
过电压类别	Overvoltage Category	III	III	II
污染等级	Contamination Class	3	2	2
额定电压	Rated Voltage [V]	160	250	320
额定电流	Rated Current [A]	13.5	13.5	13.5
额定冲击电压	Impulse withstand voltage [KV]	2.5	2.5	2.5
导线截面积	Conductor cross section	0.5-1.0		
硬质/柔性导线	Solid/ flexible [mm ²]			
材料		Material		
绝缘材料	Insulation Material	PA66		
阻燃等级	Infammability	UL94V-0		
导体材料	Contactur Material	铜合金 Copper alloy		
导体表面镀层	Contactive Coating	镀锡 Sn Plated		
一般参数		Other Data		
间距	Pitch /极数 Poles [mm] / [P]	3.96 / 02-24		
剥线长度	Stripping Length [mm]	5-6		
螺丝	Screw/扭矩 Torque(Max) [N.m]	M2/0.2		
工作温度	Operating temperature [°C]	-40~105		
焊接温度	Soldering temperature	260°C/5S		
引针尺寸	Pin Dimensions [mm]	Ø0.8		
PCB板孔径	PCB Hole Diameter [mm]	Ø1.0		

linear dimension(Tolerances Standard GB/T 14486-2008)

variable range	to 6	over 6 to 10	over 10 to 30	over 30 to 60	over 60 to 100	over 100 to 160	over 160 to 250	to 10	over 10 to 100	over 100 to 160
tolerance	±0.20	±0.30	±0.50	±0.70	±1.00	±1.30	±1.60	0.10	0.30	0.60

单位 / UNITS	mm	尺寸 / SIZE	A4	比例 / SCALE	4:1	第三视角 / THIRD ANGLE PROJECTION	版本 / REV	V0
慈溪市万捷电子有限公司 CIXI WANJIE ELECTRONIC CO., LTD						名称 / TITLE WJ396R-3.96-XXP-1YY-00A		