

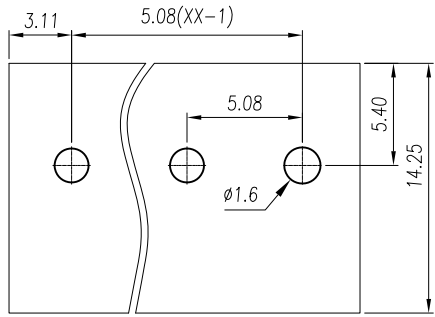


慈溪市万捷电子有限公司

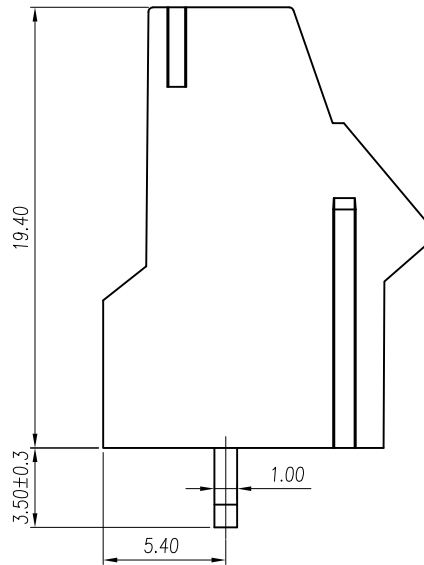
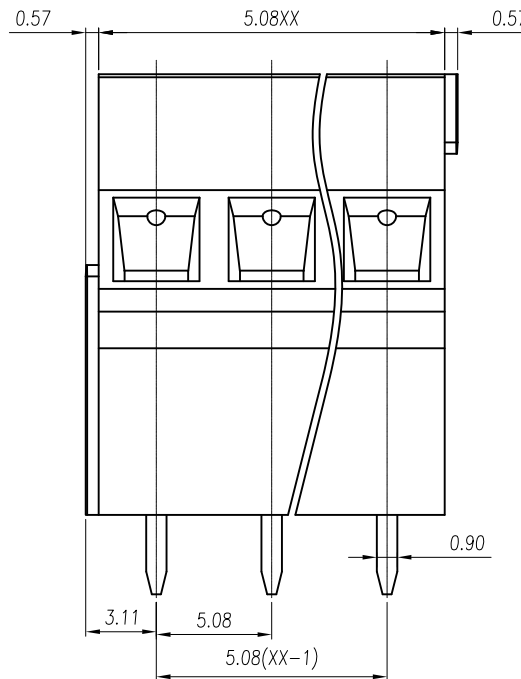
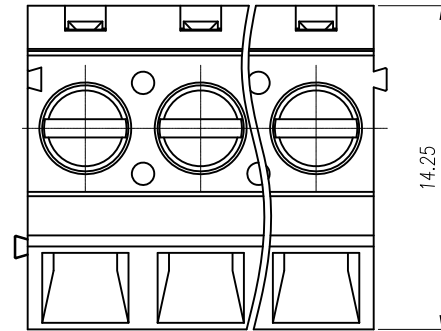
CIXI WANJIE ELECTRONIC CO., LTD

REVISION RECORD

REV.	DESCRIPTION	ECN No.	APPROVED	DATE



P.C.B. LAYOUT



UL/CUL 技术参数 UL/CUL Technical Data			
等级	Use Group	B	C D
额定电压	Rated Voltage [V]	300	/ 300
额定电流	Rated Current [A]	20	/ 10
接线范围	Wire Range	22-12	
单/多芯线	Solid/Stranded [AWG]		
耐压	Withstanding Voltage	1600V/1Min	
IEC 技术参数 IEC Technical Data			
过电压类别	Overvoltage Category	III	III II
污染等级	Contamination Class	3	2 2
额定电压	Rated Voltage [V]	250	400 630
额定电流	Rated Current [A]	20	20 20
额定冲击电压	Impulse withstand voltage [KV]	4.0	4.0 4.0
导线截面积	Conductor cross section	0.2-2.5	
硬质/柔性导线	Solid/flexible [mm ²]		
材料 Material			
绝缘材料	Insulation Material	PA 66	
阻燃等级	Imflamability	UL94V-0	
导体材料	Contact Material	铜合金 Copper alloy	
导体镀层	Contactive Coating	镀锡 Sn Plated	
一般参数 Other Data			
间距	Pitch [mm]	5.08	
极数	Poles [P]	02-24	
剥线长度	Stripping Length [mm]	10-11	
螺丝	Screw	M3	
扭矩	Torque(Max) [N.m]	0.5	
工作温度	Operating temperature [°C]	-40-105	
符合RoHS环保要求			

linear dimension(Tolerances Standard GB/T 14486-2008)

variable range	to 6	over 6 to 10	over 10 to 30	over 30 to 60	over 60 to 100	over 100 to 160	over 160 to		over 10 to 100	over 100 to
tolerance	±0.20	±0.30	±0.50	±0.70	±1.00	±1.30	±1.60		0.10	0.30 0.60

单位 / UNITS	mm	尺寸 / SIZE	A4	比例 / SCALE	3:1	第三视角 / THIRD ANGLE PROJECTION	版本 / REV	V0
							慈溪市万捷电子有限公司 CIXI WANJIE ELECTRONIC CO., LTD 名称 / TITLE WJ131-5.08-XXP-1YY-00A	